



XO-1 Wing Installation

Tools Needed:

- 2.5mm hex wrench

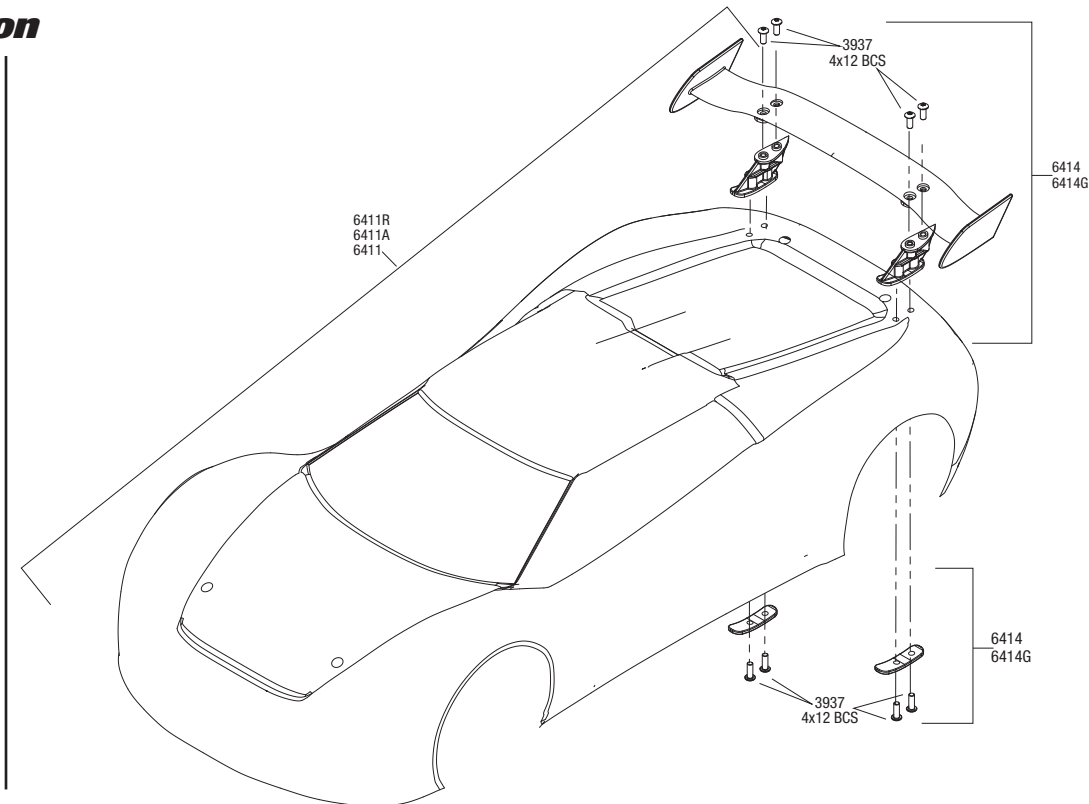
Wing installation:

1. Install wing mounts to the wing using the supplied 4x12 BCS screws
2. Attach the wing to the body using the two 4x12 BCS screws ensuring that you use the plastic wing mount washers in between the body and screw head.

If you have questions or need technical assistance, call Traxxas at

1-888-TRAXXAS

(1-888-872-9927) (U.S. residents only)



TRAXXAS.COM

Traxxas, 1100 Klein Road, Plano, TX 75074, Phone: 972-265-8000, Fax: 972-265-8011, e-mail: support@Traxxas.com

KC1483-R00 Rev 120127